

## STOCKINGER Safe CUBE III

“Jet black – Silver – Burgundy red ”

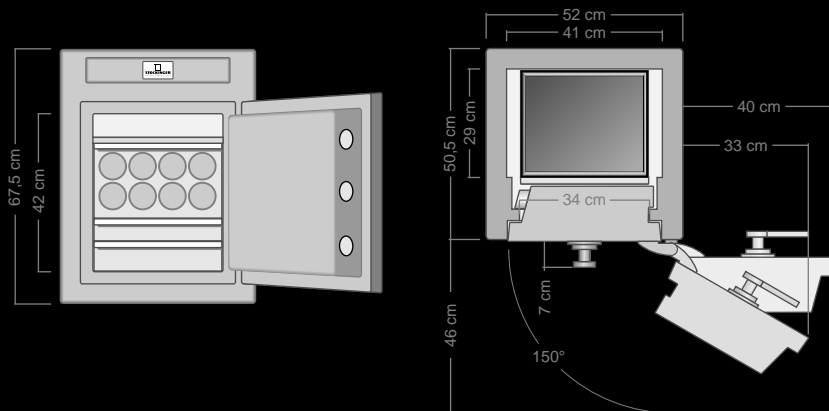
Technical details and dimensions:

- Patented electronic locking system Stocktronic
- Integrated emergency alarm and anchoring device
- Stockinger security grade III
- HxWxD: 67,5 x 52,0 x 50,5 cm / 26,5 x 20,4 x 19,9 in
- Weight: ca. 300 kg / 661 lbs
- Volume: ca. 590 dl / 3600 in<sup>3</sup>

Individual finish:

- Body and door in Jet black lacquer
- Interior and fittings finished in Stockinger Silver
- Free space (ingress height: 6 cm / inner height: 8 cm)
- One drawer (height: 20 cm), with 8 watch winder
- One drawer (height: 6 cm), lined in Burgundy red
- One drawer (height: 8 cm), lined in Burgundy red
- One tray for jewellery, lined in Burgundy red
- Internal light system (white)

Price: 35.000 Euro (net, ex works)



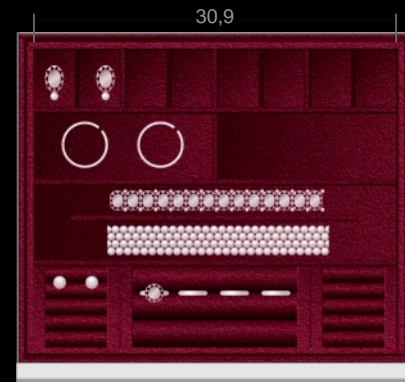
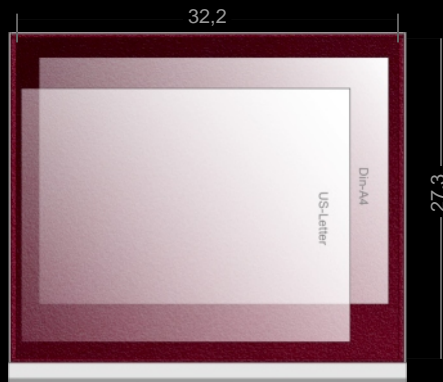
STOCKINGER MANUFAKTUR

EICHENSTRASSE 15 · 82061 NEURIED · GERMANY · TEL: +49 89-7590 5828 · FAX: +49 89-7590 5830 · INFO@STOCKINGER.COM  
 WWW.STOCKINGER.COM

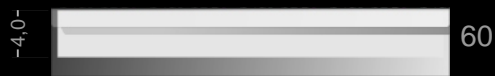
drawer #1  
tray 3000



drawer #2



drawer #3  
tray 1100



dimension = approx. centimeters  
1 cm = 0,39 in  
1 in = 2,54 cm

STOCKINGER MANUFAKTUR

EICHENSTRASSE 15 · 82061 NEURIED · GERMANY · TEL: +49 89-7590 5828 · FAX: +49 89-7590 5830 · INFO@STOCKINGER.COM  
WWW.STOCKINGER.COM