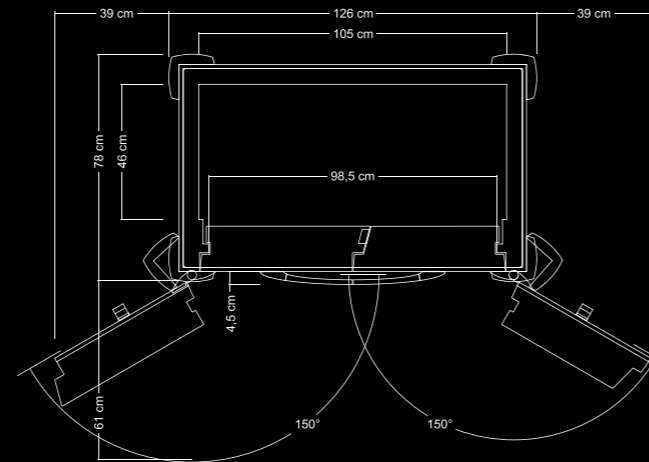
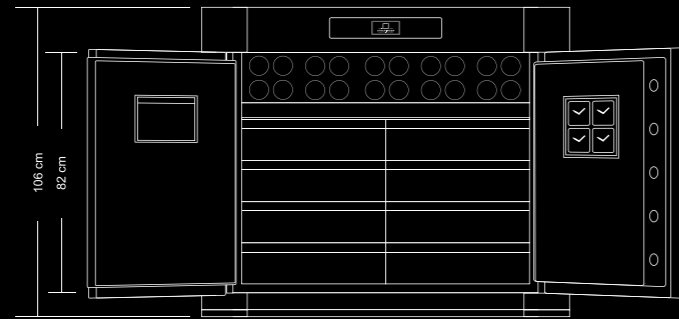




HYAS

In addition to the Bespoke Line, the HYAS is specifically designed for watch collectors. It enables enthusiasts to keep, present and organize an extensive collection securely and professionally in their personal environment. The five separate watch winding units, each with four winders, can be individually configured. The drawers can store a maximum of 188 watches or can be customized for jewellery. Every safe is created with unparalleled fit and finish from the inside out with the highest quality hand-crafted materials. The same attention to detail is taken into consideration with the exteriors. Our design approach fuses the elegance of fine furniture creation with a security level protection equivalent to that of a commercial bank vault.



FACTS & FIGURES

Dimensions (WxDxH):	126 x 78 x 106 cm 49.6 x 30.7 x 42.1 inches
Weight:	approx. 890 kg approx. 1,962 lbs
Volume:	approx. 210 dl
Security level:	Stockinger III
Locking mechanism:	Stocktronic (one electronic lock)
Interior:	20 watch winders Additional space for 168 watches

